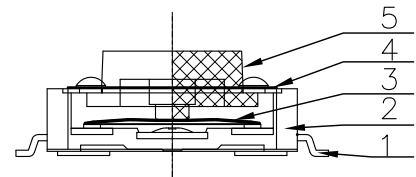
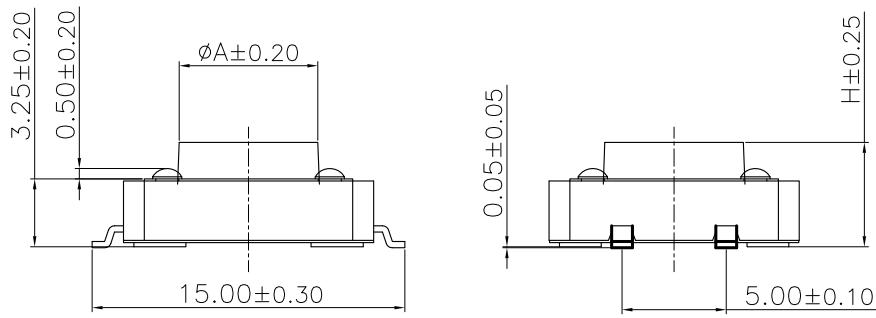


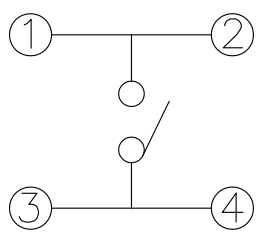
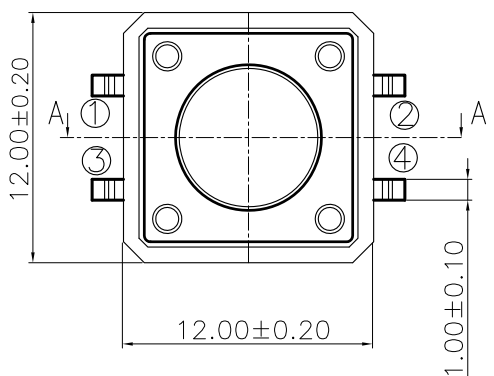
The product using material and processing must conform to the "WI-PZ-001"HSF technical standard control requirements

RoHS

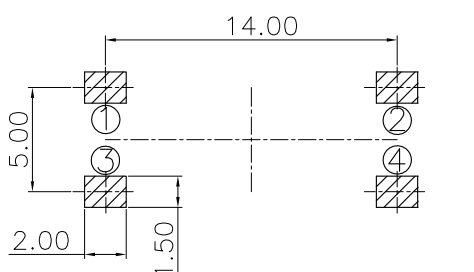
- NOTE:
- MATERIAL SPECIFICATION:
    - CONTACTS:BRASS T=0.3mm
    - HOUSING:PPA COLOUR:BLACK
    - SHRAPNEL:φ8.5 STAINLESS STEEL
    - COVER: BRASS
    - BUTTON: PPA COLOUR:BLACK
  - PLATING SPECIFICATION:
    - CONTACT:Ag PLATED ON CONTACT AREA
    - SHRAPNEL:AG PLATED.
    - COVER:Sn PLATED
  - ELECTRICAL PERFORMANCE:
    - RATING CURRENT:50mA DC
    - RATING VOLTAGE:12V DC
    - CONTACT RESISTANCE: 100mΩ MAX;
    - INSULATION RESISTANCE:100MΩ MIN
    - WITHSTANDING VOLTAGE: AC 250V/50HZ,1MIN
  - MECHANICAL PERFORMANCE:
    - DURABILITY: 100000 CYCLES.
  - OPERATION TEMPERATURE RANGE:-20°C~+85°C
  - PULL FORCE: 250kgf
  - PACKAGE SPEC: REEL
- 8.P/N: WLSW10-04 2 8 A X 063



SECTION A-A



SCHEMATIC



REMANANCE P.C.B LAYOUT (±0.05)

- PLATED: 8.AG
- COLOUR: A.BLACK
- A.H=4.00mm
  - B.H=4.30mm
  - C.H=4.50mm
  - D.H=5.00mm
  - E.H=5.50mm
  - F.H=6.00mm
  - G.H=6.50mm
  - H.H=7.00mm
  - I.H=7.50mm
  - J.H=8.00mm

H (HEIGH/mm)	A (DIAMETER/mm)
4.0	6.8
4.3	6.8
4.5	6.8
5.0	6.65
5.5	6.6
6.0	6.6
6.5	6.6
7.0	6.55
7.5	6.5
8.0	6.5

REV.	REVISION RECORD	DATE	GENERAL TOLERANCES		SCALE:	NAME	DATE	PART.NO:	DWG.NO:
A0	NEW RELEASE	21.01.13	LINEAR	ANGLES	1:1	Wang_jr	21.01.13	WLSW10-0428AX063	ENDE05
A0	ADD PRODUCE P/N	23.08.04	0.0±0.35	X'REF±6°	APPROVED	XZ_Ma	21.01.13	TACT SWITCH 12*12MM	WanLian Technology Co., Ltd
			0.00±0.25	X°±3°	DESIGNER	LX_Hou	21.01.13		
			0.000±0.10	X°X' ±2°	DRAWN				
			UNIT:mm						REV: A1
			SIZE: A4						SHEET: 1/2

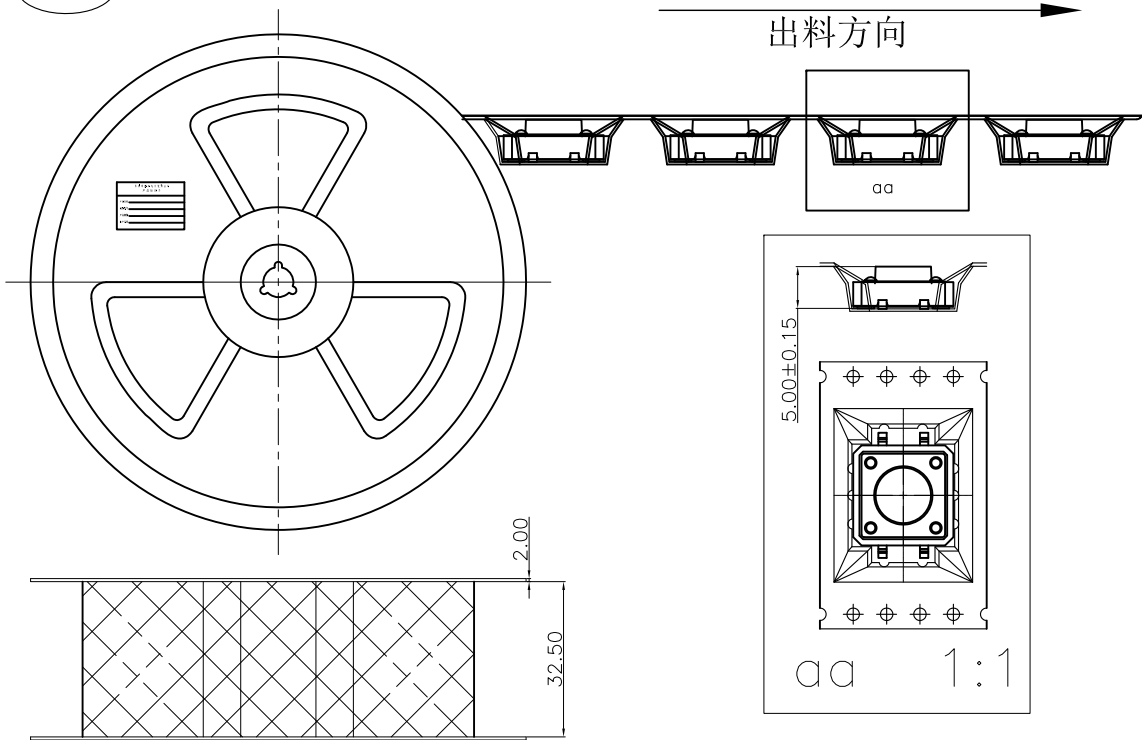


REV: A1 SHEET: 1/2

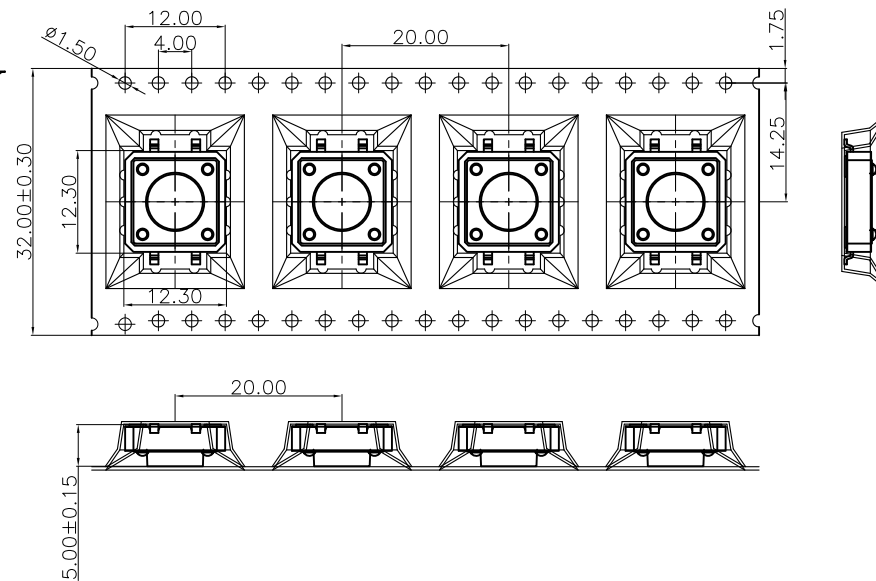
The product using material and processing must conform to the "WI-PZ-001"HSF technical standard control requirements

RoHS

PULL OUT DIRCTION  
出料方向



卷盘


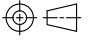



技术要求:

1. 本产品不含环境危险物质, 适用于RoHS指令2011/65 / EU要求。
2. 吸塑盒: 用长12.3mm, 宽12.3mm, 编带定位孔间距为 $4 \pm 0.05$ mm。
3. 编带封塑时, 一定要注意其封塑牢固度, 无因封带开裂而导致产品脱落等不良现象。
4. 卷盘起始段要预留5到10PCS的空槽, 防止因卷盘内圆过小导致产品焊脚损坏; 卷盘末端预留一外圈的空槽或隔离封塑带, 防止卷盘在运输过程中的意外碰撞因素而导致产品的损坏; 一卷盘按产品高度规格对应的要求数量进行编带。



H (产品总高mm)	B (料带筒深mm)	部件规格表				
4.0	5.2	序号	部件名称	部件材料	部件用量	其它
4.3	5.2	1	卡件	0.3黄铜	1PCS	镀银白色
4.5	5.2	2	基座	PPA	1PCS	黑色
5.0	5.2	3	弹片	Φ8.5进口不锈钢覆银	1PCS	镀银白色
5.5	5.7	4	盖板	黄铜	1PCS	镀锡
6.0	6.2	5	按钮	PPA	1PCS	黑色
6.5	6.7	6				
7.0	7.2					
7.5	7.7					
8.0	8.2					

REV.	REVISION RECORD	DATE	GENERAL TOLERANCES		SCALE:	NAME	DATE	PART.NO:	DWG.NO:	 万连科技 WanLian Technology Co., Ltd
A0	NEW RELEASE	21.01.13		LINEAR	1:1	Wang_jr	21.01.13	WLSW10-0428AX063	ENDE05	
A1	ADD PRODUCE P/N 	23.08.04		0.0±0.35	ANGLES					
			UNIT:mm	0.00±0.25	X°±3°	DESIGNER	XZ_Ma	21.01.13	TITLE:	
			SIZE: A4	0.000±0.10	X°X' ±2°	DRAWN	LX_Hou	21.01.13	TACT SWITCH PACKAGE DRAWING	

REV: A1 SHEET: 2/2